



Name **10.4 inch Capacitive Touch Monitor
(Sunlight Readable)**

Spec. ·1000 cd/m2
 ·Sunlight Readable Front Panel IP65
 ·Projected Capacitive touch screen
 ·Metal enclosure chassis.
 ·Desktop Stand or openframe brackets
 optional.

Product Introduction

10.4 inch Capacitive Touch Monitor (Sunlight Readable)

- 10.4 inch 800x600(SVGA 4:3)
- Wide Operating Temperature (-20~70°C)
- Projected Capacitive Touch Option
- 7H Hardness Tempered Cover Glass
- 10 points Multi-touch
- Metal Cabinet with Diverse Installing Options
- Made in Taiwan, 3 Years Warranty
- Designed for all Environments
- Sunlight Readable Front Panel IP65
- Anti-Glare/Reflection/Fingerprint/SPY... Options
- All Kind of Connector Options (VGA/DVI/HDMI/DP)

Display Specifications			
Model No.	SP104	Pixel Pitch	0.264x0.264 mm
Screen Diagonal	10.4 inch	Response Time	16 msec
Display Area	211.2x162.7 mm	Backlight Unit	LED (white LED)
Resolution	800x600(SXGA)	Viewing Angle (L/R,U/D)	160°/140° (CR \geq 10)
Brightness	1000 nits *(options)	Backlight Life Time	30000 HRS
Contrast Ratio	700:1	Operating Temp.	-20~70°C
Display Ratio	4:3	Surface Treatment	Anti-glare, Hardness 3H
Support Color	16.2M Color		
Projected Capacitive Touch Model			
Touch Screen	Projected Capacitive	Operating Temp.	-10°C~50°C
Allowed touch points	10 points	Touch Screen Thickness	2.2 \pm 0.2mm
Interface	USB	Hardness	\geq 7H
Transparency	\geq 87%	Surface Treatment	AG coating



Brightness Options		
Item	Brightness	Model No.
Standard	400 nits	SP104N _X -XXXXXXXX-XXX
Enhanced *	1000 nits	SP104A _X -XXXXXXXX-XXX
Enhanced *	1500 nits	SP104F _X -XXXXXXXX-XXX



Display Input Options		
Item	Connectors	Model No.
Standard	VGA + DVI	SP104XX-XXXXX4 _X -XXX
Option1	VGA + DVI + HDMI	SP104XX-XXXXX7 _X -XXX
Option2	VGA + HDMI + DP	SP104XX-XXXXX3 _X -XXX

Power Input Options		
Item	Description	Connector
Standard	DC-12V, with AC/DC Adapter 100~240V	DC Jack Φ 2.1mm
Option	DC-12V, with AC/DC Adapter 100~240V	DC Jack Φ 2.1mm (Lockable)



*Lockable

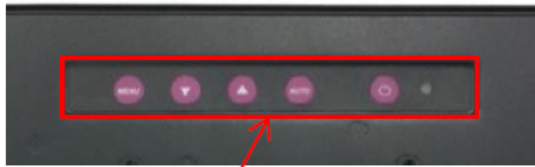
Audio Input			
Item	Description		Connector
Speaker	Stereo		TRS connector 3.5mm
Surface Film Options			
AG	Anti-Glare		AR Anti-Reflective
AFP	Anti-Fouling/FingerPrint		AS Anti-Spy



Physical Specifications			
Dimension (Max)	257.7x214.1x45 mm	Cabinet	Galvanized steel (SECC)
Speaker	2W x2	Net Weight	≤1.8 KG
Wall Mount Hole	75x75 mm	Gross Weight	≤2.66 KG

Cabinet Options	
Item	Description
Standard	Galvanized steel (SECC)
Option1	Stainless Steel
Option2	Aluminum

Description	
Item	Description
OSD (standard)	Physical button
Software (option)	Software Control via RS232 interface.



OSD Button

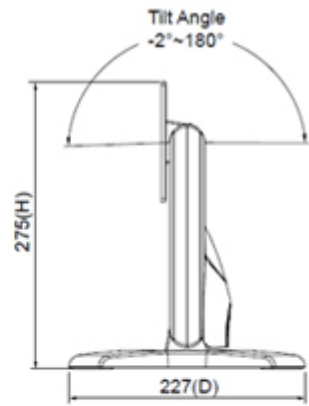
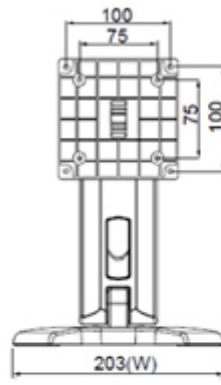


Software Control via RS232 interface.

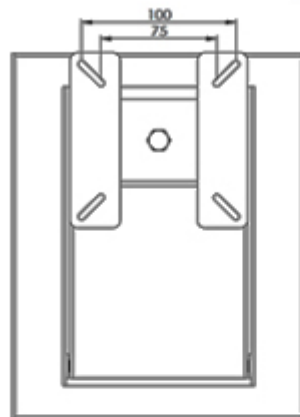
Accessories		
Item	Description	Quantity
VGA Cable	D-Sub 15Pin Male to Male , 1.2 Meter	1
Audio cable	3.5mm Headset Jack , Male to Male , 1.2 Meter	1
AC-DC Adapter	4.16A/12V with CE/FCC/CCC/UL/RoHS/PSE/JET Certification	1
Power cord	*(depends on Country)	1
USB Cable	A type , Male to Male , 1.5 Meter *(only for touch models)	1



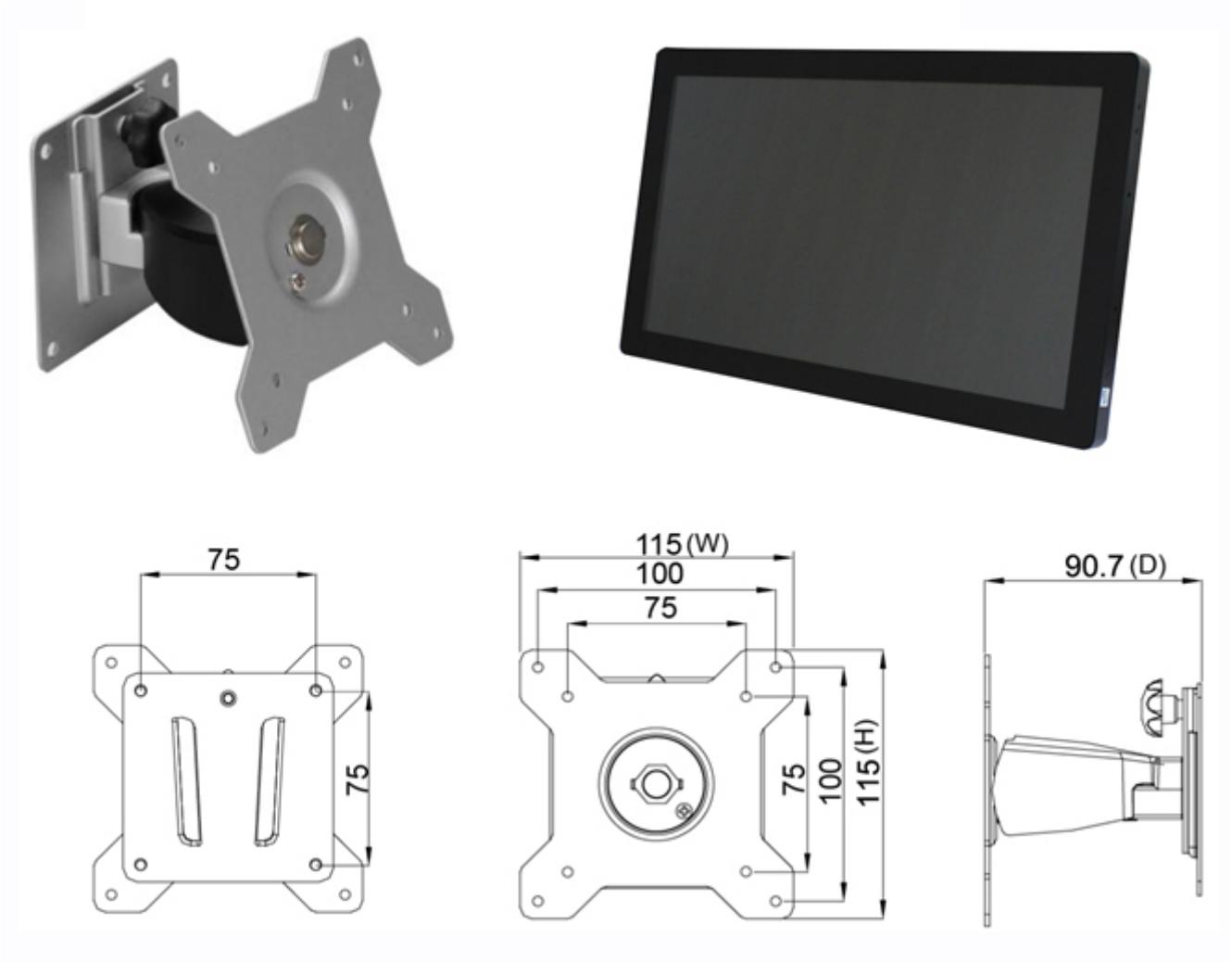
Optional Accessories (Desktop Stand)			
Item	B Stand	Part No.	P1SS0 / P1SS0-02
Mounting Pattern	100x100 / 75x75 mm	Dimension (WxHxD)	203x275x227 mm
Material	Steel/Plastic/Aluminum	Net Weight	1.8 KG
Tile(Hinge)	-2° ~ +180°	Support Max. Weight	15 KG



Item	Z Stand	Part No.	P1SZ2
Mounting Pattern	100x100 / 75x75 mm	Dimension (WxHxD)	190x240x41.6 mm
Material	SECC	Net Weight	2.6 KG
Tile(Hinge)	±360°	Support Max. Weight	15 KG



Optional Accessories (Wall Mount Bracket)



Optional Accessories (Open-frame Brackets)

